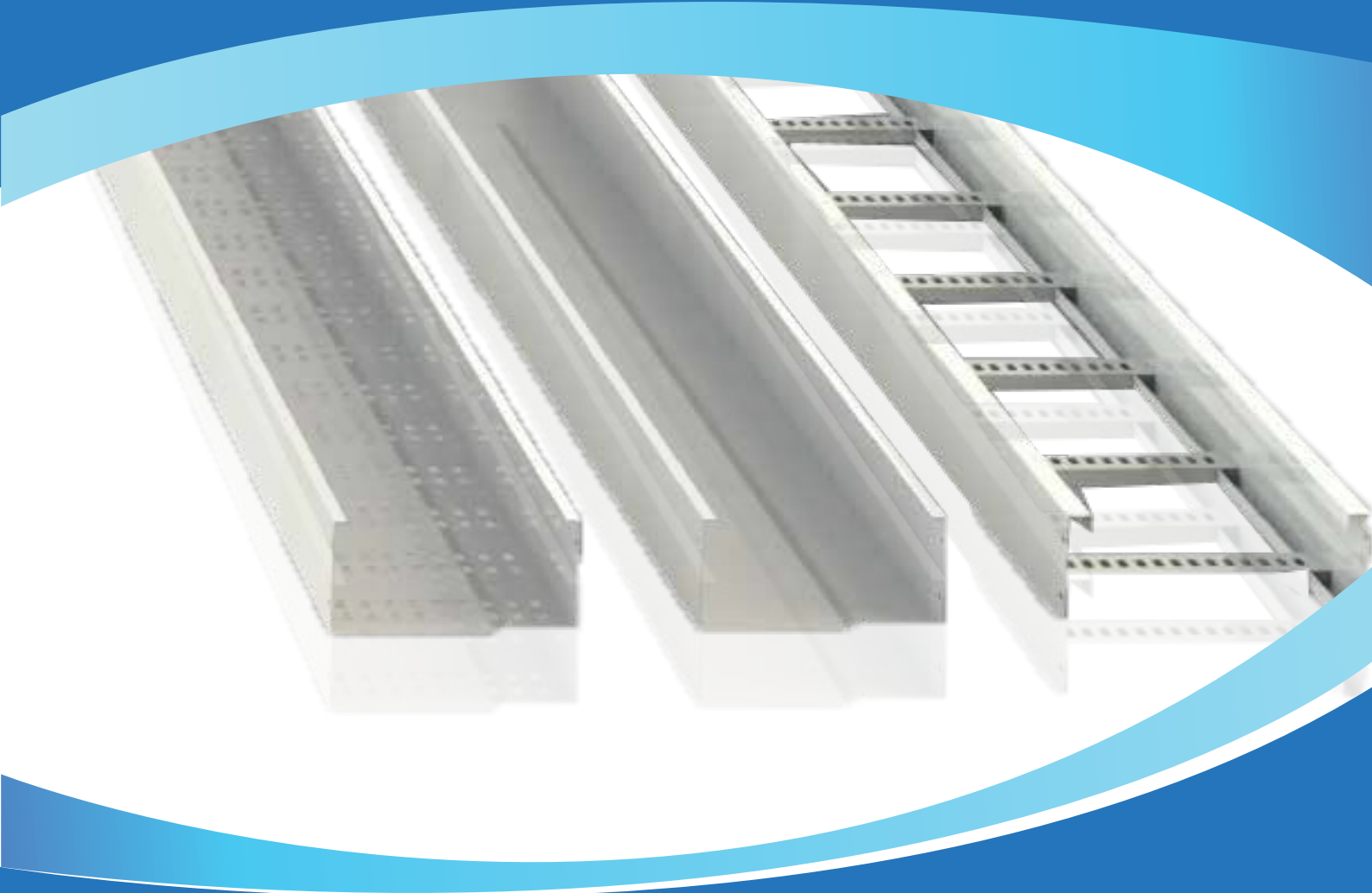




ក្រុមហ៊ុន តាំង គីម ស្រេង ខ្យងឈើឌី

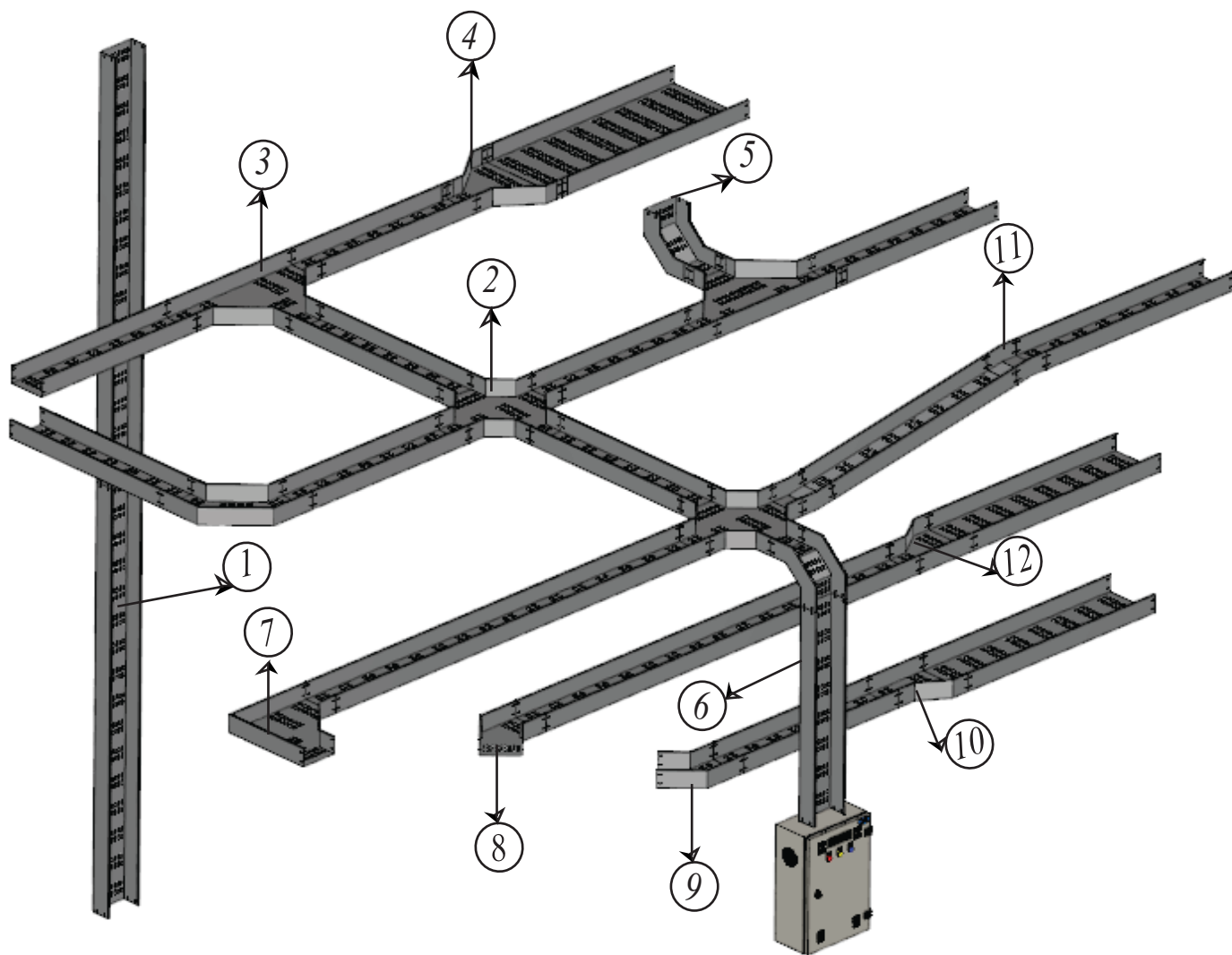
TAING KIM SRENG Co., Ltd



Cable support Solution
Cable tray, trunking, ladder

website: www.ksrengineer.com

Cable Tray Assembly Guideline



1. Straight Cable Tray
2. Horizontal equal cross
3. Horizontal equal tee
4. Straight reducer
5. Inside riser
6. Outside riser
7. Horizontal elbow 90°
8. Horizontal elbow 60°
9. Horizontal elbow 45°
10. Right reducer
11. Vertical adjust coupler
12. Left reducer

Straight Cable Tray

Product Specification

w (mm)	H (mm)	L (mm)	T (mm)
50	50	2400 2500	1
100			
150			
200			
50	100		1.2
100			
150			
200			
100	150	1.4	
300			
400			
500			



Material

- ◉ Prime quality & Metal Sheets

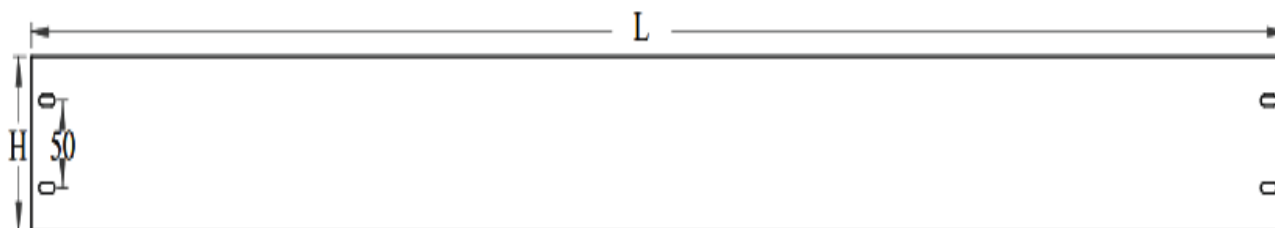
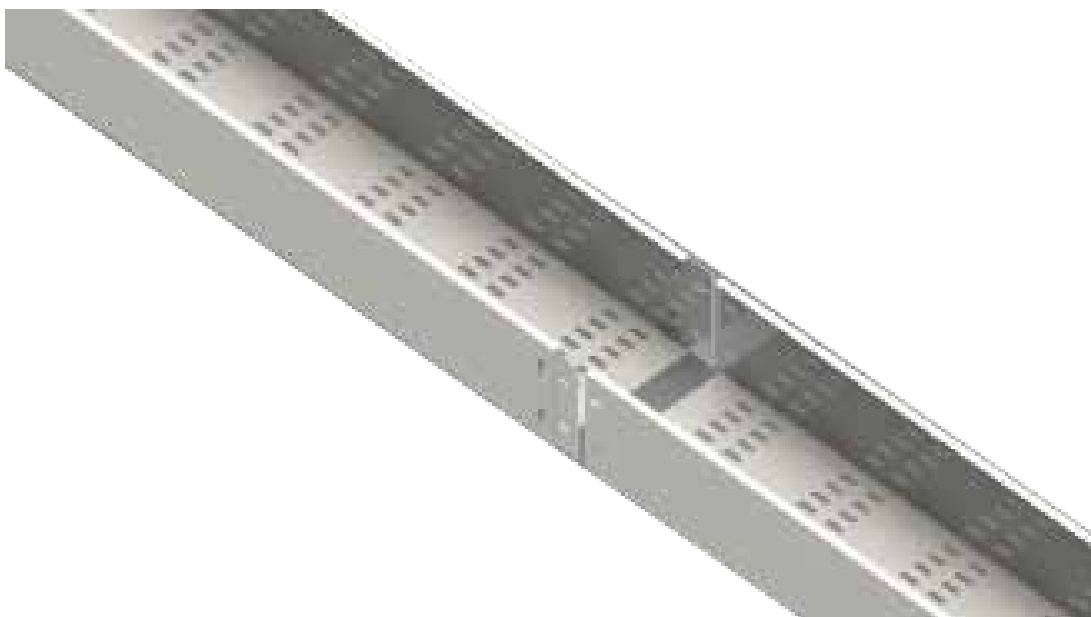


Finishing

- ◉ Pre- Galvanized (GI)
- ◉ Stainless Steel
- ◉ Powder coated
- ◉ Cold-Rolled Steel



Any other size request, please give us a call !



Horizontal equal cross

Product Specification

w (mm)	H (mm)	T (mm)	
50	50	1	
100			
150			
200			
50	100		1.2
100			1.4
150			1.8
200			2
100	150		
300			
400			
500			

➤ Material

⦿ Prime quality & Metal Sheets

✦ Finishing

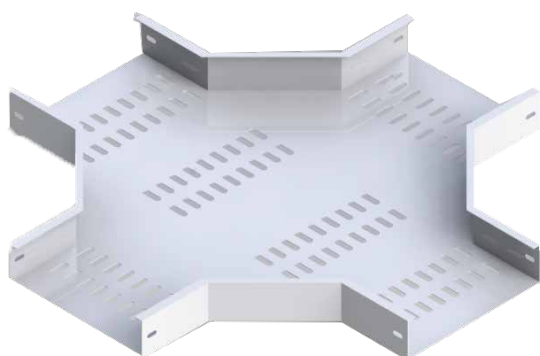
⦿ Pre- Galvanized (GI)

⦿ Stainless Steel

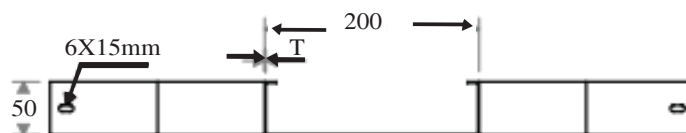
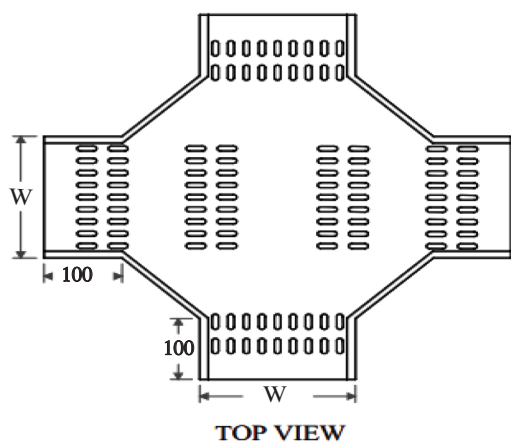
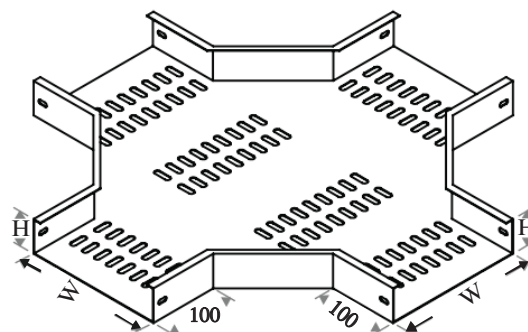
⦿ Powder coated

⦿ Cold-Rolled Steel

✦ Any other size request, please give us a call !



HORIZONTAL EQUAL CROSS



Horizontal equal tee

Product Specification

w (mm)	H (mm)	T (mm)
50	50	1
100		
150		
200		
50	100	1.2
100		1.4
150		1.8
200		2
100	150	
300		
400		
500		

➤ Material

⦿ Prime quality & Metal Sheets

✦ Finishing

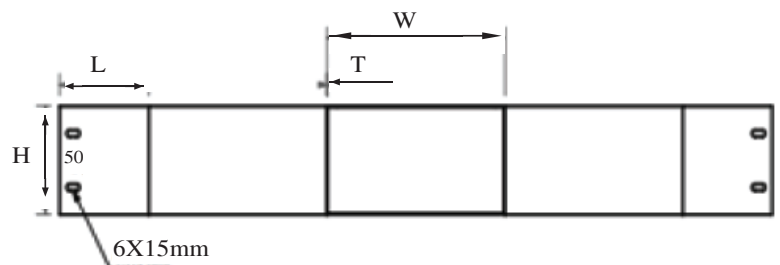
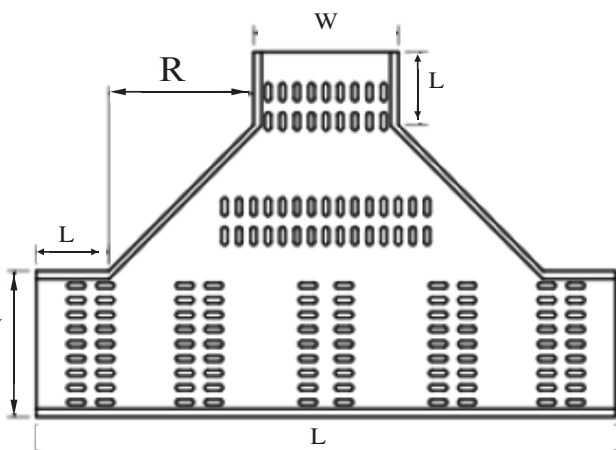
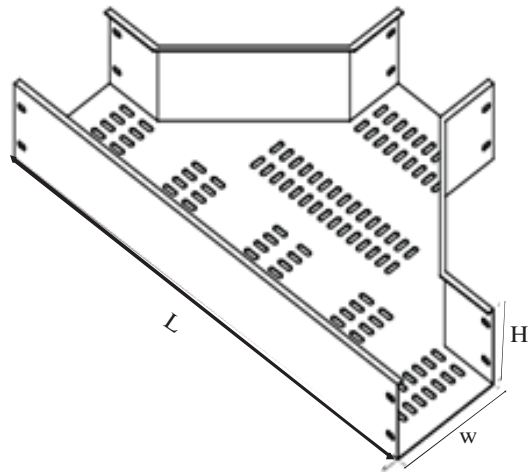
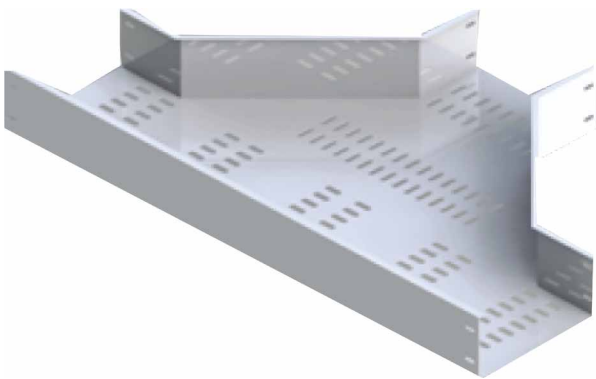
⦿ Pre- Galvanized (GI)

⦿ Stainless Steel

⦿ Powder coated

⦿ Cold-Rolled Steel

✦ Any other size request, please give us a call !



SIDE VIEW

Straight reducer

Product Specification

w (mm)	H (mm)	T (mm)
50	50	1 1.2 1.4 1.8 2
100		
150		
200		
50	100	
100		
150		
200		
100	150	
300		
400		
500		

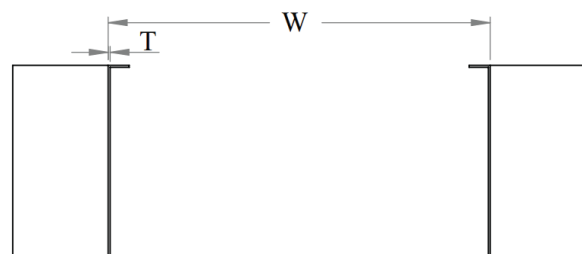
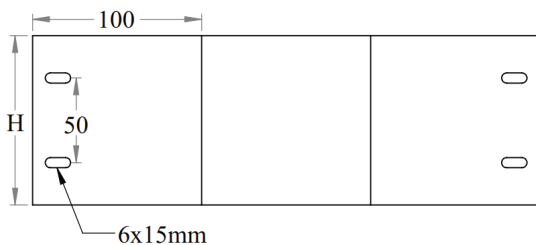
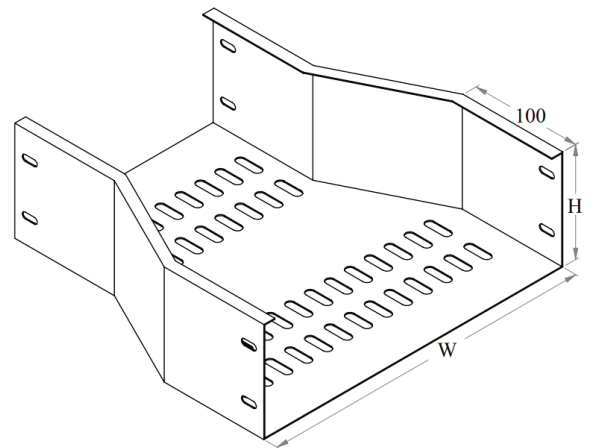
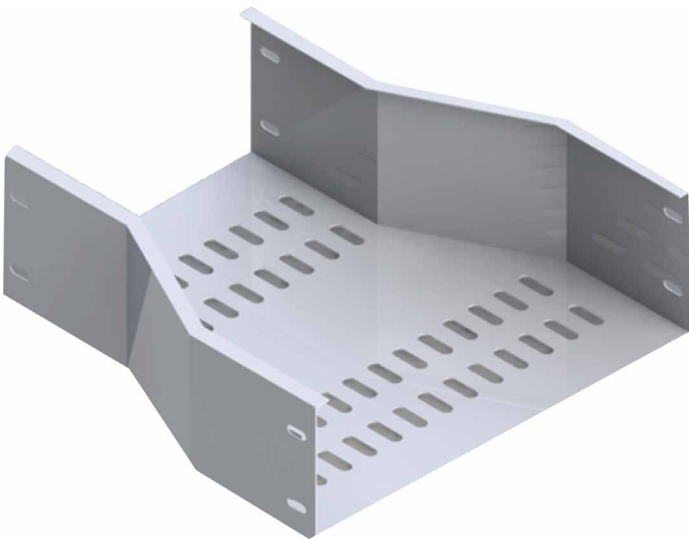
➤ Material

- ◉ Prime quality & Metal Sheets

✦ Finishing

- ◉ Pre- Galvanized (GI)
- ◉ Stainless Steel
- ◉ Powder coated
- ◉ Cold-Rolled Steel

✦ Any other size request, please give us a call !



Inside riser

Product Specification

W (mm)	H (mm)	T (mm)
50	50	1 1.2 1.4 1.8 2
100		
150		
200		
50	100	
100		
150		
200		
100	150	
300		
400		
500		

➤ Material

◉ Prime quality & Metal Sheets

✦ Finishing

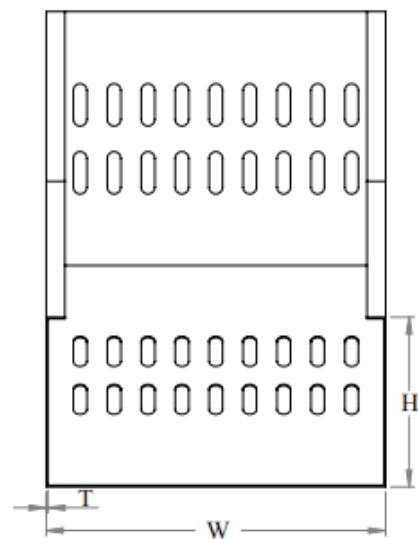
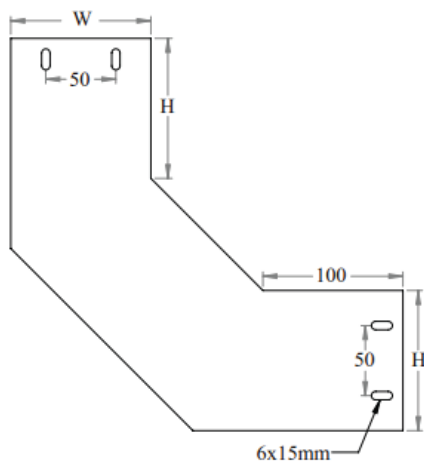
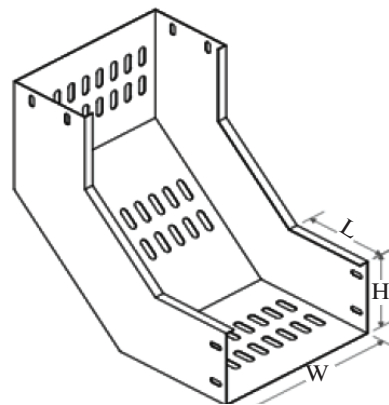
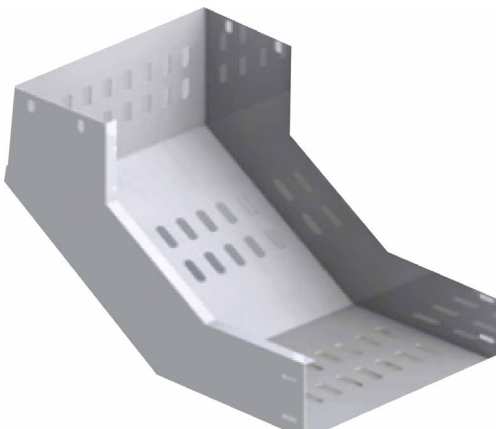
◉ Pre- Galvanized (GI)

◉ Stainless Steel

◉ Powder coated

◉ Cold-Rolled Steel

✦ Any other size request, please give us a call !



Horizontal elbow 45°

Product Specification

w (mm)	H (mm)	T (mm)
50	50	1 1.2 1.4 1.8 2
100		
150		
200		
50	100	
100		
150		
200		
100	150	
300		
400		
500		



Material

• Prime quality & Metal Sheets



Finishing

• Pre- Galvanized (GI)

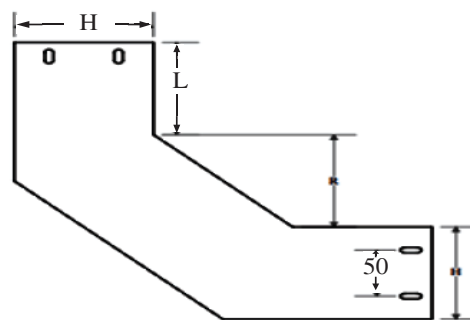
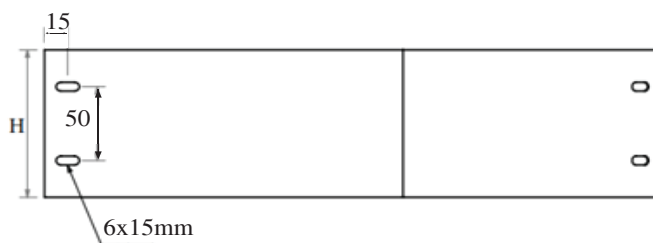
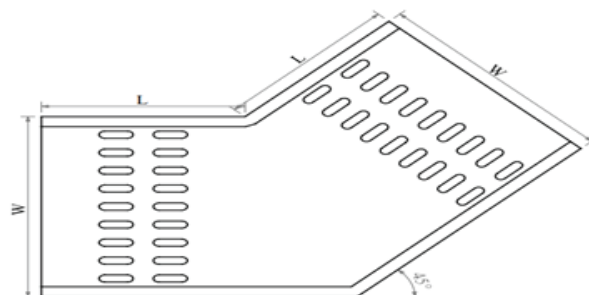
• Stainless Steel

• Powder coated

• Cold-Rolled Steel



Any other size request, please give us a call !



Left reducer

Product Specification

w (mm)	H (mm)	T (mm)
50	50	1 1.2 1.4 1.8 2
100		
150		
200		
50	100	
100		
150		
200		
100	150	
300		
400		
500		



Material

- ◉ Prime quality & Metal Sheets

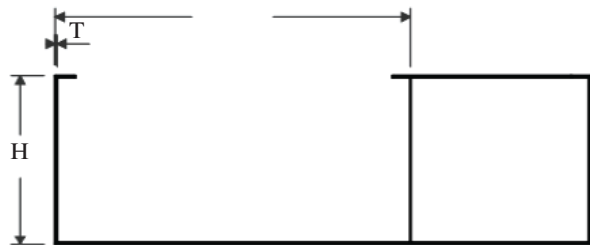
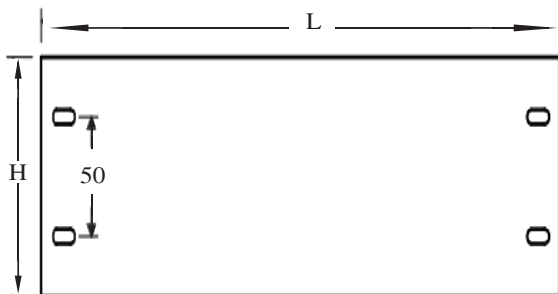
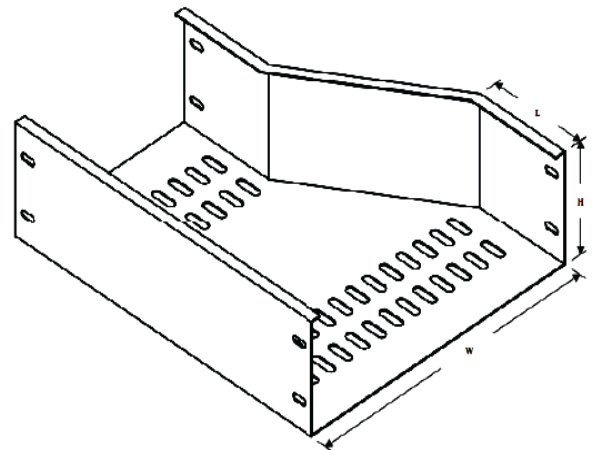
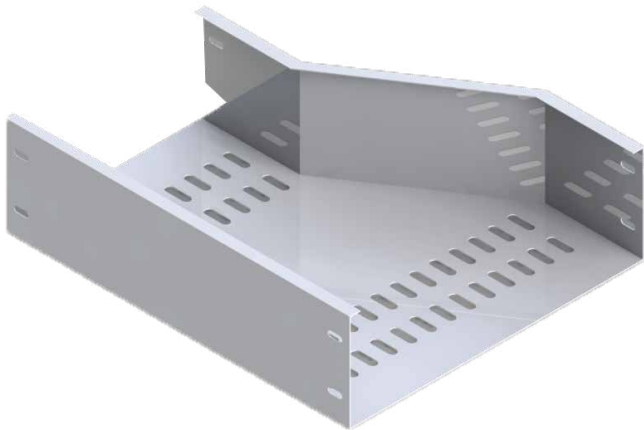


Finishing

- ◉ Pre- Galvanized (GI)
- ◉ Stainless Steel
- ◉ Powder coated
- ◉ Cold-Rolled Steel



Any other size request, please give us a call !



OUTSIDE RISER

Product Specification

w (mm)	H (mm)	T (mm)
50	50	1 1.2 1.4 1.8 2
100		
150		
200		
50	100	
100		
150		
200		
100	150	
300		
400		
500		

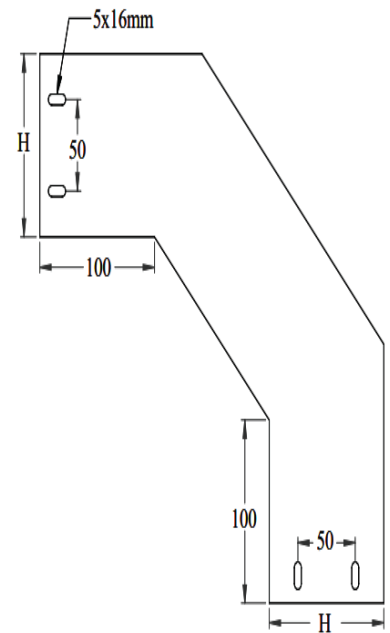
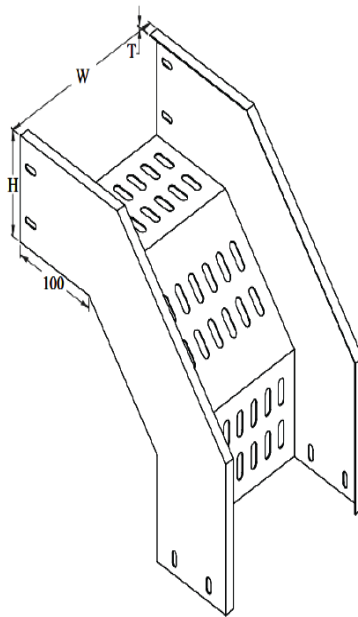
➤ Material

- ◉ Prime quality & Metal Sheets

✦ Finishing

- ◉ Pre- Galvanized (GI)
- ◉ Stainless Steel
- ◉ Powder coated
- ◉ Cold-Rolled Steel

✦ Any other size request, please give us a call !



EQUAL TEE

Product Specification

w (mm)	H (mm)	T (mm)
50	50	1
100		
150		
200		
50	100	1.2
100		1.4
150		1.8
200		2
100	150	
300		
400		
500		

➤ Material

⦿ Prime quality & Metal Sheets

✦ Finishing

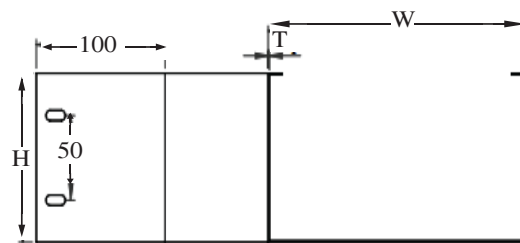
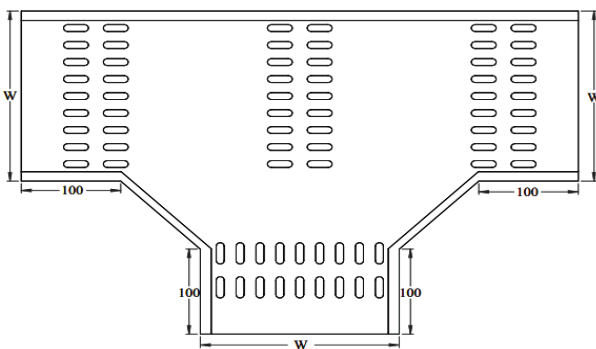
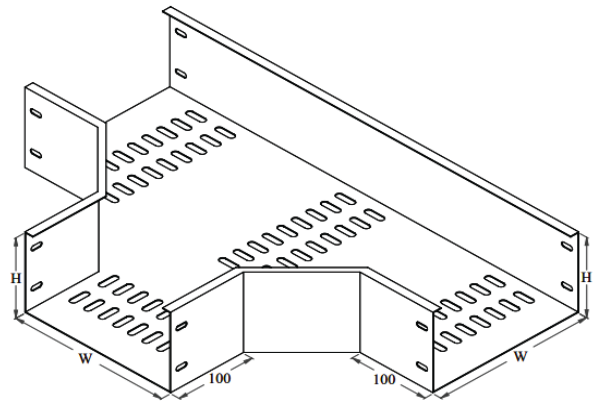
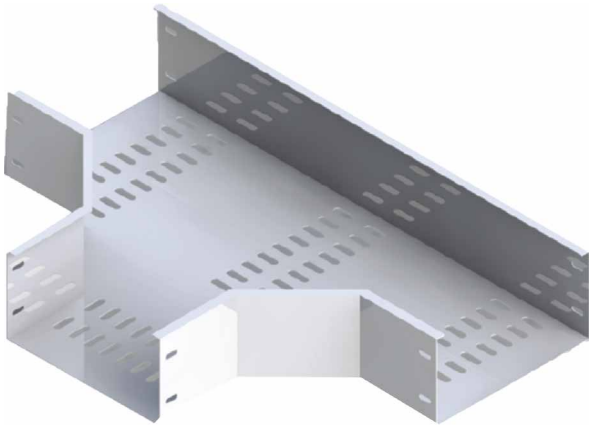
⦿ Pre- Galvanized (GI)

⦿ Stainless Steel

⦿ Powder coated

⦿ Cold-Rolled Steel

✦ Any other size request, please give us a call !



CABLE TRUNKING

Product Specification

w (mm)	H (mm)	L (mm)	T (mm)	
50	50	2400 2500	1	
100				
150				
200				
50	100		1.2 1.4 1.8 2	
100				
150				
200				
100	150			
300				
400				
500				

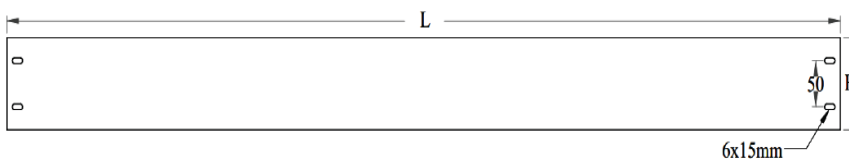
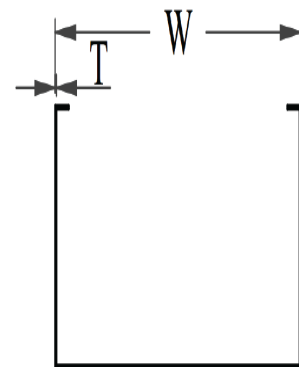
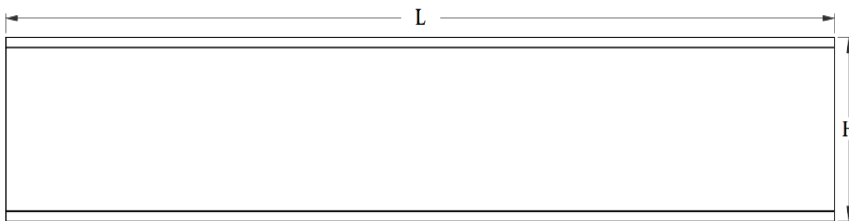
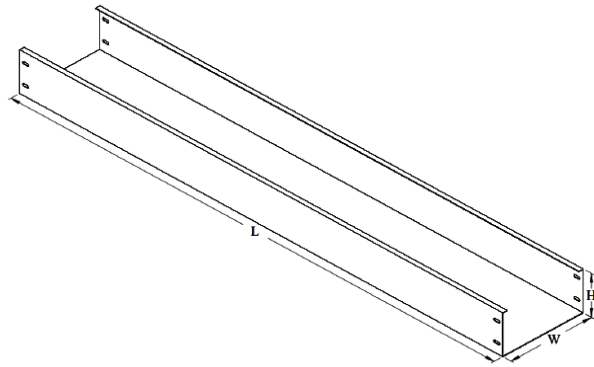
➤ Material

- ◉ Prime quality & Metal Sheets

✦ Finishing

- ◉ Pre- Galvanized (GI)
- ◉ Stainless Steel
- ◉ Powder coated
- ◉ Cold-Rolled Steel

✦ Any other size request, please give us a call !



ELBOW

Product Specification

w (mm)	H (mm)	T (mm)
50	50	1 1.2 1.4 1.8 2
100		
150		
200		
50	100	
100		
150		
200		
100	150	
300		
400		
500		

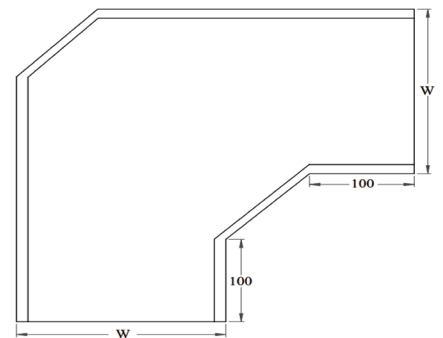
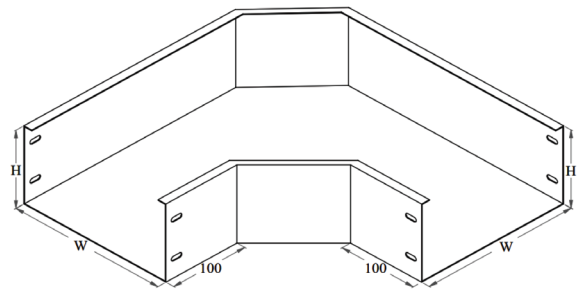
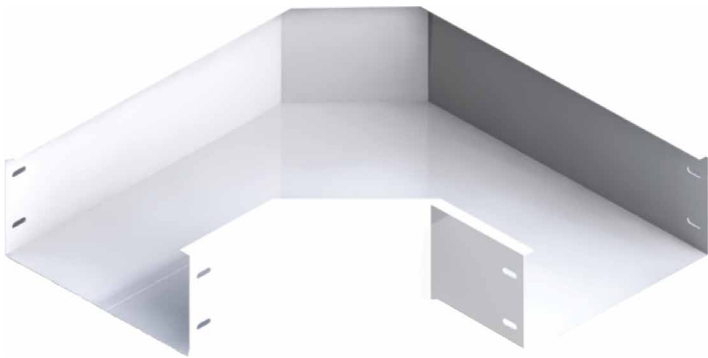
➤ Material

- ◉ Prime quality & Metal Sheets

✦ Finishing

- ◉ Pre- Galvanized (GI)
- ◉ Stainless Steel
- ◉ Powder coated
- ◉ Cold-Rolled Steel

✦ Any other size request, please give us a call !



ELBOW 45°

Product Specification

W (mm)	H (mm)	T (mm)
50	50	1 1.2 1.4 1.8 2
100		
150		
200		
50	100	
100		
150		
200		
100	150	
300		
400		
500		

➤ Material

⦿ Prime quality & Metal Sheets

✦ Finishing

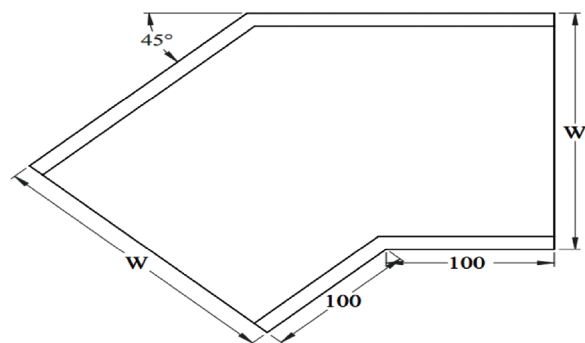
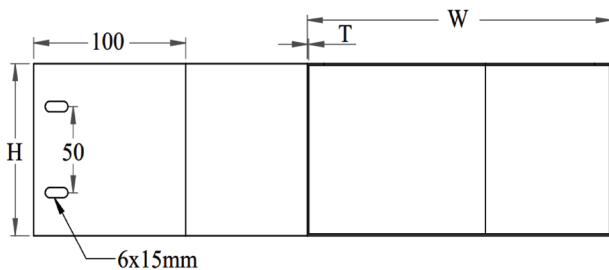
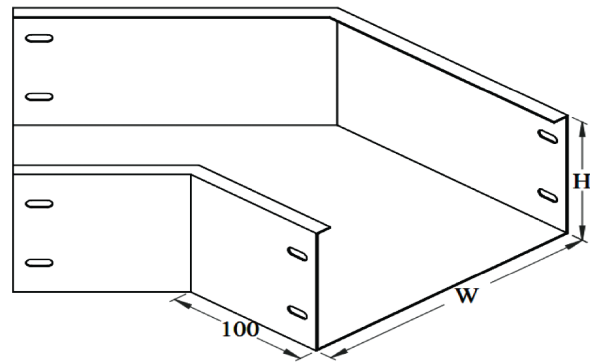
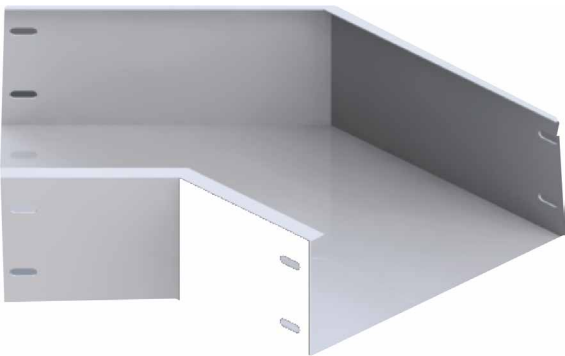
⦿ Pre- Galvanized (GI)

⦿ Stainless Steel

⦿ Powder coated

⦿ Cold-Rolled Steel

✦ Any other size request, please give us a call !



LEFT-HAND REDUCER

Product Specification

w (mm)	H (mm)	T (mm)
50	50	1 1.2 1.4 1.8 2
100		
150		
200		
50	100	
100		
150		
200		
100	150	
300		
400		
500		

➤ Material

⦿ Prime quality & Metal Sheets

✦ Finishing

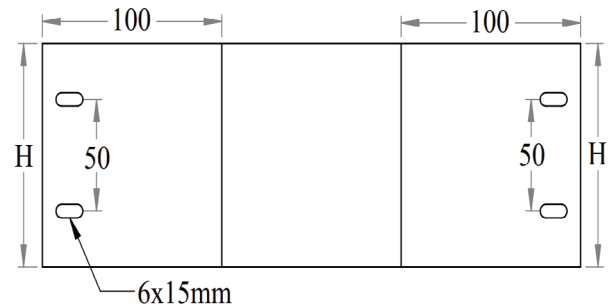
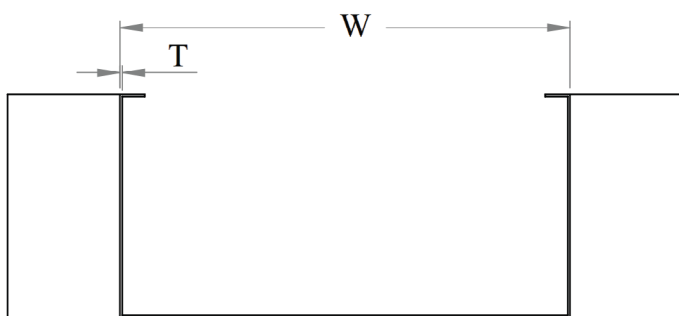
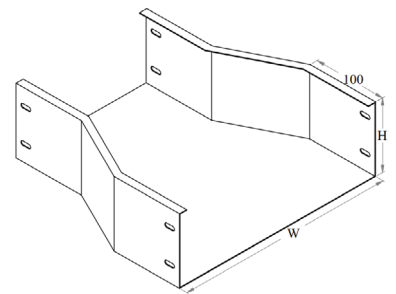
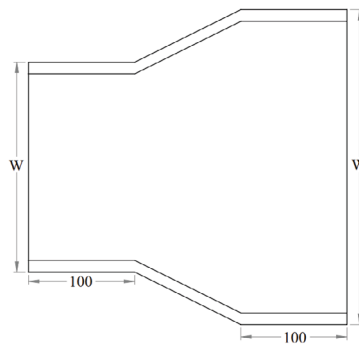
⦿ Pre- Galvanized (GI)

⦿ Stainless Steel

⦿ Powder coated

⦿ Cold-Rolled Steel

✦ Any other size request, please give us a call !



EQUAL TEE

Product Specification

w (mm)	H (mm)	T (mm)
50	50	1 1.2 1.4 1.8 2
100		
150		
200		
50	100	
100		
150		
200		
100	150	
300		
400		
500		

➤ Material

◉ Prime quality & Metal Sheets

✦ Finishing

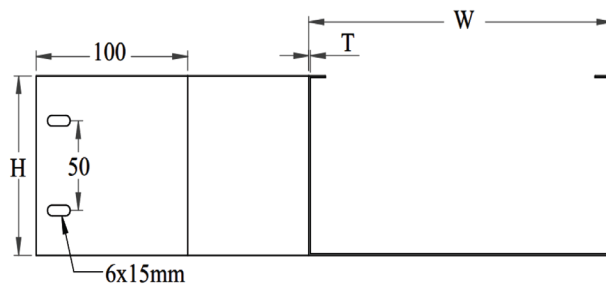
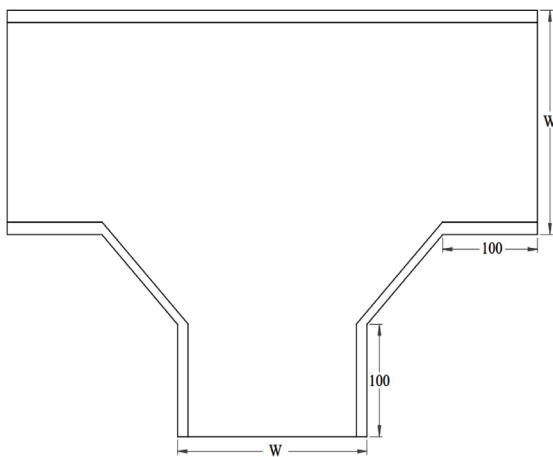
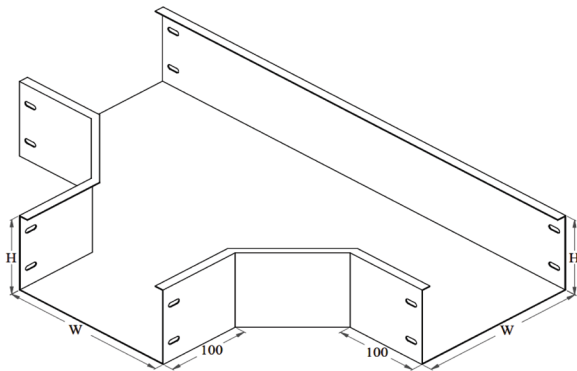
◉ Pre- Galvanized (GI)

◉ Stainless Steel

◉ Powder coated

◉ Cold-Rolled Steel

✦ Any other size request, please give us a call !



RIGHT-HAND REDUCER

Product Specification

w (mm)	H (mm)	T (mm)
50	50	1 1.2 1.4 1.8 2
100		
150		
200		
50	100	
100		
150		
200		
100	150	
300		
400		
500		

➤ Material

⦿ Prime quality & Metal Sheets

✦ Finishing

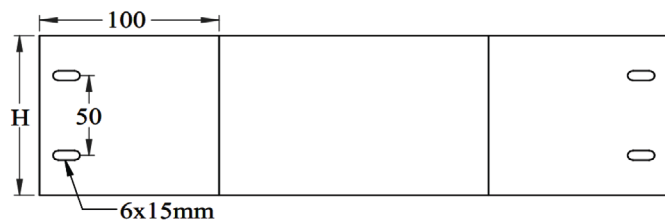
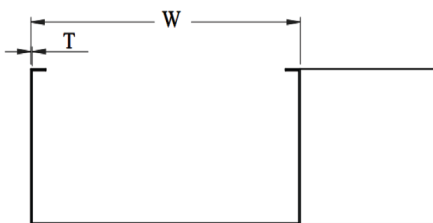
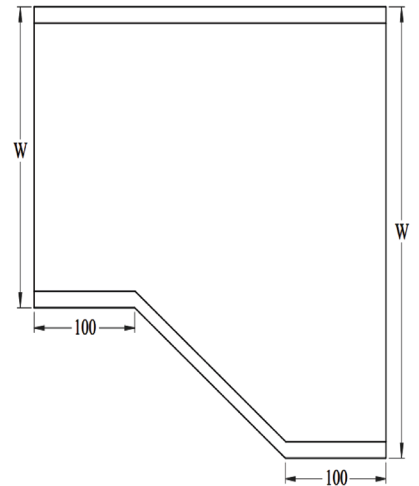
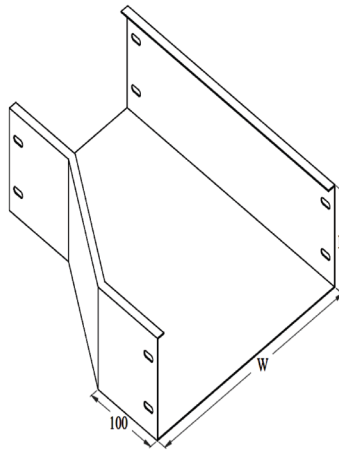
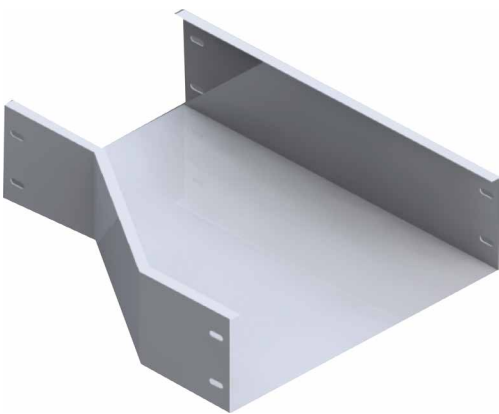
⦿ Pre- Galvanized (GI)

⦿ Stainless Steel

⦿ Powder coated

⦿ Cold-Rolled Steel

✦ Any other size request, please give us a call !



IDSIDE RISER

Product Specification

w (mm)	H (mm)	T (mm)
50	50	1 1.2 1.4 1.8 2
100		
150		
200		
50	100	
100		
150		
200		
100	150	
300		
400		
500		

➤ Material

⦿ Prime quality & Metal Sheets

✦ Finishing

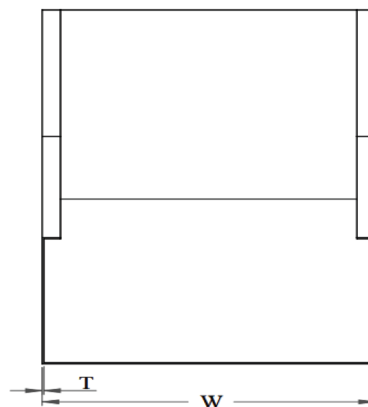
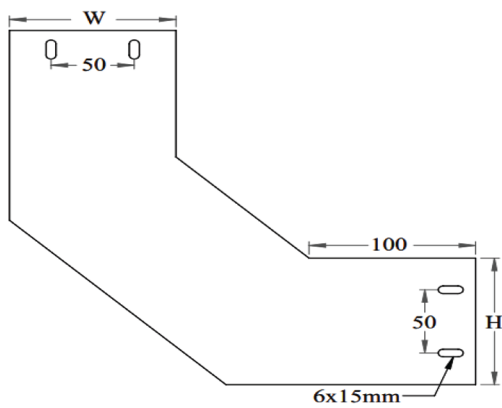
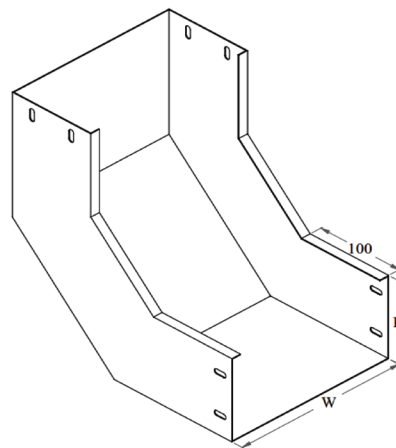
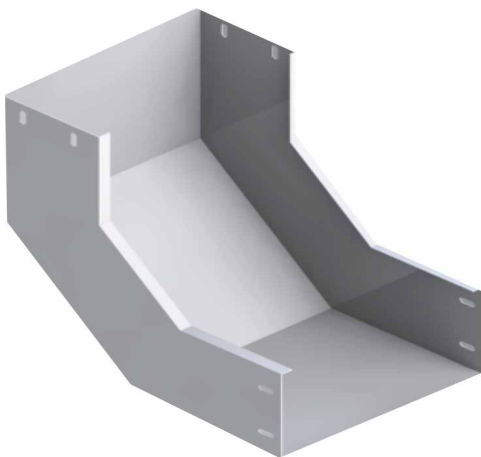
⦿ Pre- Galvanized (GI)

⦿ Stainless Steel

⦿ Powder coated

⦿ Cold-Rolled Steel

✦ Any other size request, please give us a call !



OUTSIDE RISER

Product Specification

W (mm)	H (mm)	T (mm)	
50	50	1	
100			
150			
200			
50	100		1.2
100			1.4
150			1.8
200			2
100	150		
300			
400			
500			

➤ Material

⦿ Prime quality & Metal Sheets

✦ Finishing

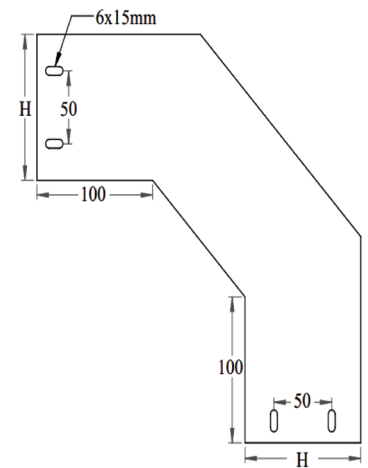
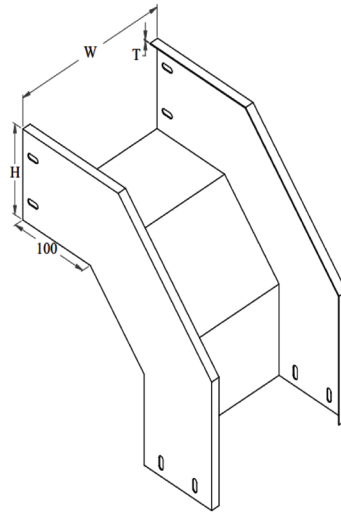
⦿ Pre- Galvanized (GI)

⦿ Stainless Steel

⦿ Powder coated

⦿ Cold-Rolled Steel

✦ Any other size request, please give us a call !



VERTICAL ADJUST COUPLER

Product Specification

w (mm)	H (mm)	T (mm)
50	50	1 1.2 1.4 1.8 2
100		
150		
200		
50	100	
100		
150		
200		
100	150	
300		
400		
500		

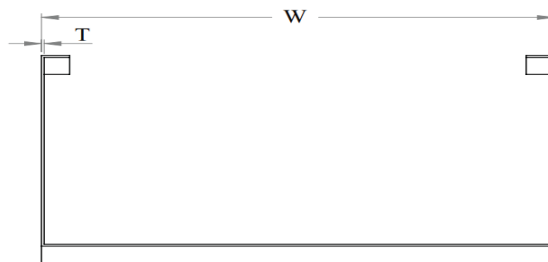
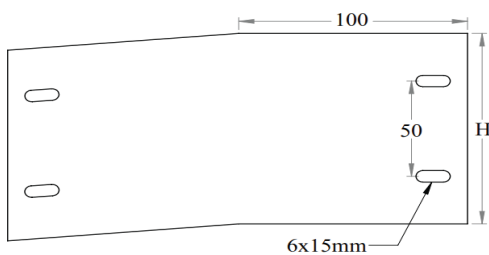
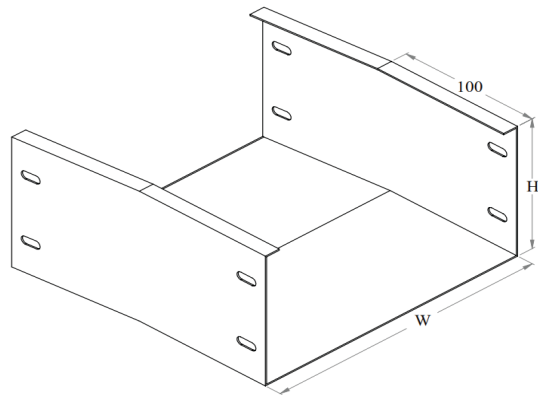
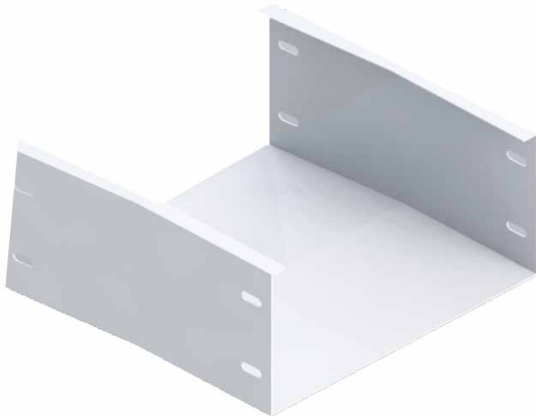
➤ Material

- ◉ Prime quality & Metal Sheets

✦ Finishing

- ◉ Pre- Galvanized (GI)
- ◉ Stainless Steel
- ◉ Powder coated
- ◉ Cold-Rolled Steel

✦ Any other size request, please give us a call !



CABLE TRUNKING

Product Specification

w (mm)	H (mm)	T (mm)
50	50	1 1.2 1.4 1.8 2
100		
150		
200		
50	100	
100		
150		
200		
100	150	
300		
400		
500		



Material

- ◉ Prime quality & Metal Sheets

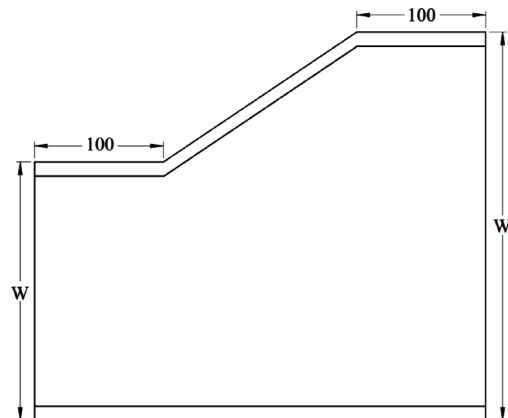
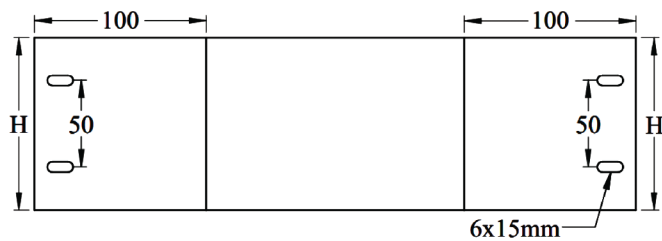
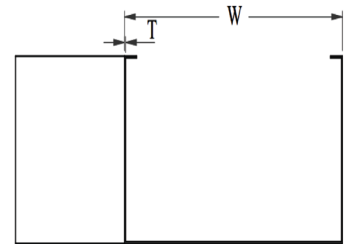
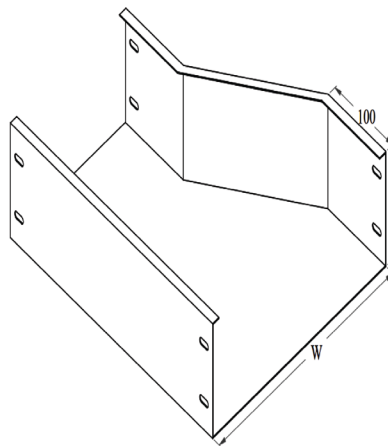


Finishing

- ◉ Pre- Galvanized (GI)
- ◉ Stainless Steel
- ◉ Powder coated
- ◉ Cold-Rolled Steel



Any other size request, please give us a call !



EQUAL CROSS

Product Specification

w (mm)	H (mm)	T (mm)
50	50	1
100		
150		
200		
50	100	1.2
100		1.4
150		1.8
200		2
100	150	
300		
400		
500		



Material

- ◉ Prime quality & Metal Sheets

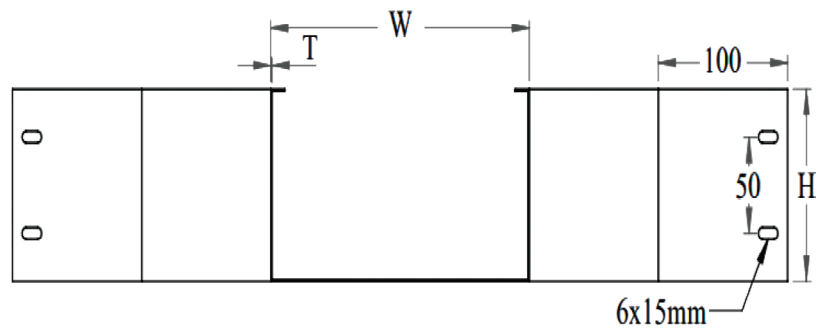
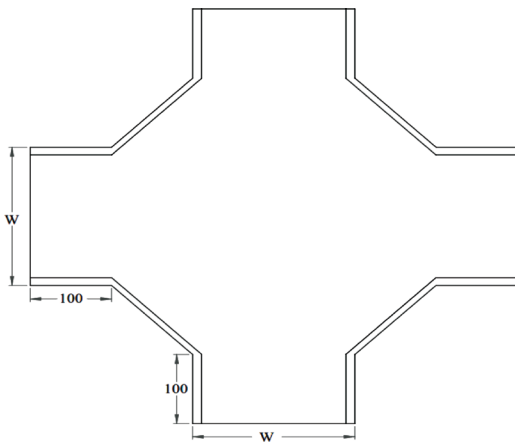
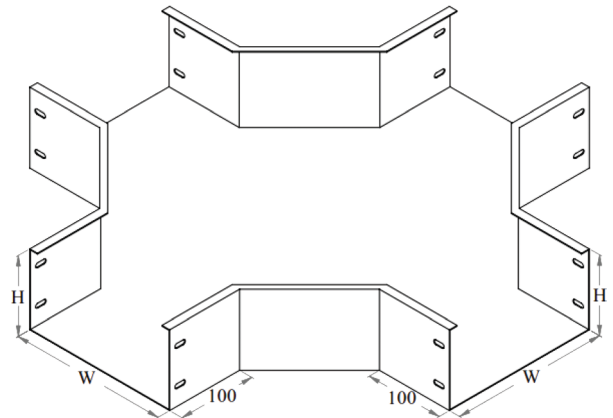
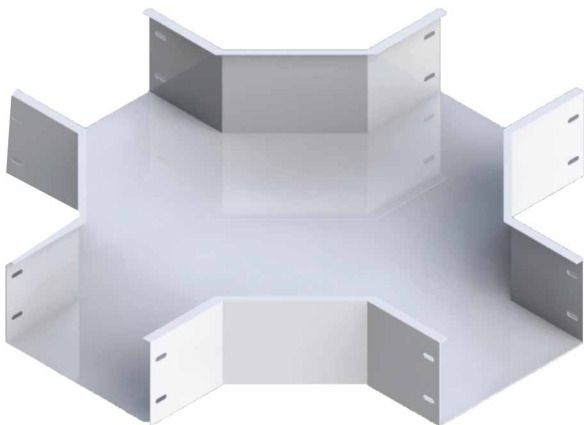


Finishing

- ◉ Pre- Galvanized (GI)
- ◉ Stainless Steel
- ◉ Powder coated
- ◉ Cold-Rolled Steel



Any other size request, please give us a call !



Cable Ladder



1. Straight Cable Ladder
2. Horizontal equal cross
3. Horizontal equal tee
4. Straight reducer
5. Inside riser
6. Outside riser
7. Horizontal elbow 90°
8. Right reducer
9. Left reducer

Straight Cable Ladder

Product Specification

W (mm)	H (mm)	L (mm)	T (mm)	
50	50	2400 2500	1	
100				
150				
200				
50	100		1.2 1.4 1.8 2	
100				
150				
200				
100	150			
300				
400				
500				



Material

- ◉ Prime quality & Metal Sheets



Finishing

- ◉ Pre- Galvanized (GI)
- ◉ Stainless Steel
- ◉ Powder coated
- ◉ Cold-Rolled Steel



Any other size request, please give us a call !



Horizontal equal cross

Product Specification

w (mm)	H (mm)	T (mm)
50	50	1 1.2 1.4 1.8 2
100		
150		
200		
50	100	
100		
150		
200		
100	150	
300		
400		
500		

➤ Material

◉ Prime quality & Metal Sheets

✦ Finishing

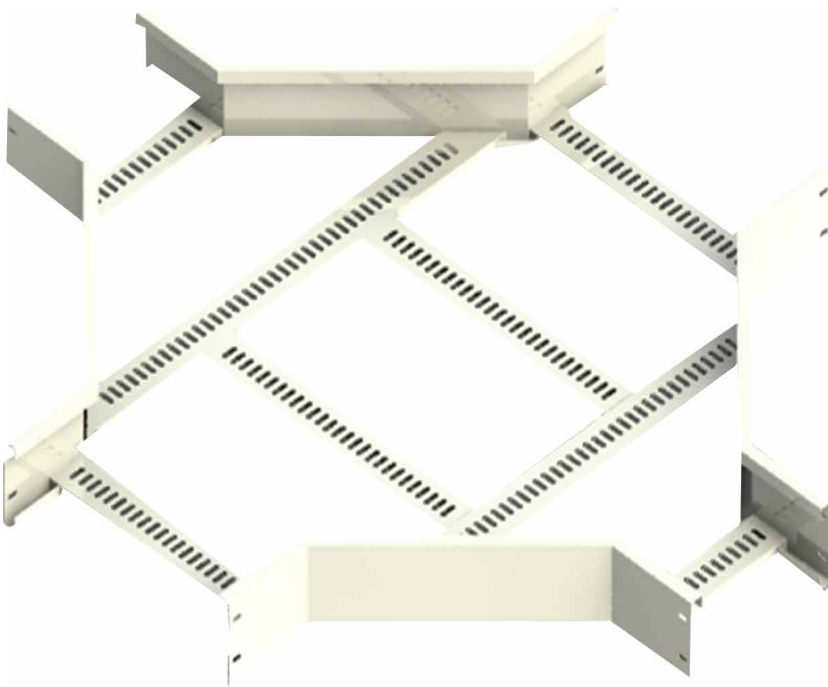
◉ Pre- Galvanized (GI)

◉ Stainless Steel

◉ Powder coated

◉ Cold-Rolled Steel

✦ Any other size request, please give us a call !



Horizontal equal cross

Product Specification

w (mm)	H (mm)	T (mm)
50	50	1 1.2 1.4 1.8 2
100		
150		
200		
50	100	
100		
150		
200		
100	150	
300		
400		
500		

➤ Material

◉ Prime quality & Metal Sheets

✦ Finishing

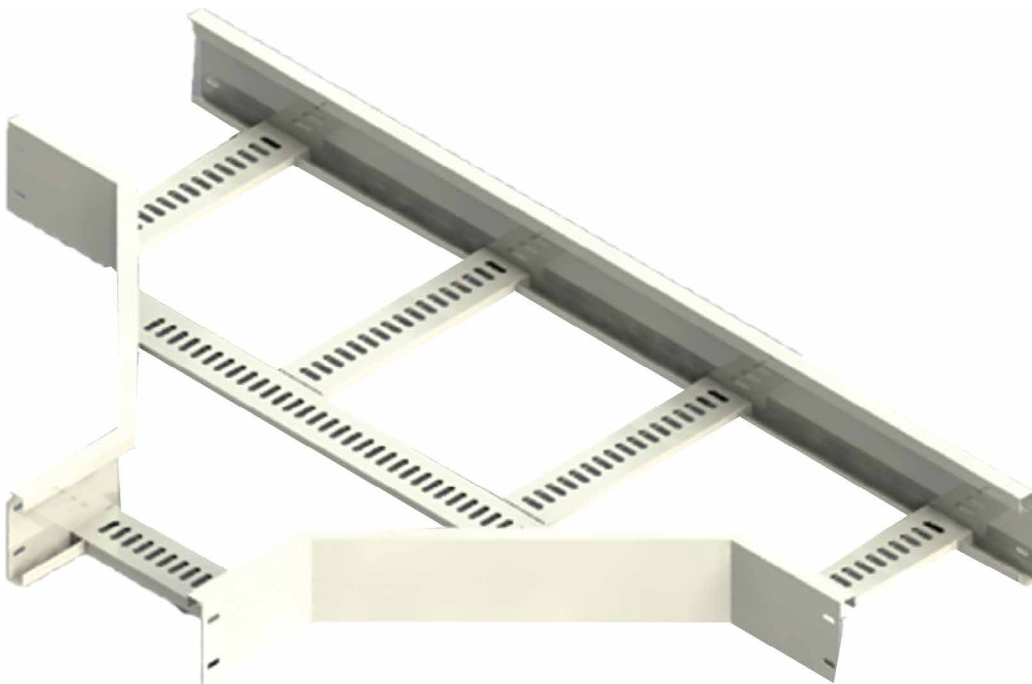
◉ Pre- Galvanized (GI)

◉ Stainless Steel

◉ Powder coated

◉ Cold-Rolled Steel

✦ Any other size request, please give us a call !



Straight reducer

Product Specification

W (mm)	H (mm)	T (mm)
50	50	1 1.2 1.4 1.8 2
100		
150		
200		
50	100	
100		
150		
200		
100	150	
300		
400		
500		



Material

- ◉ Prime quality & Metal Sheets

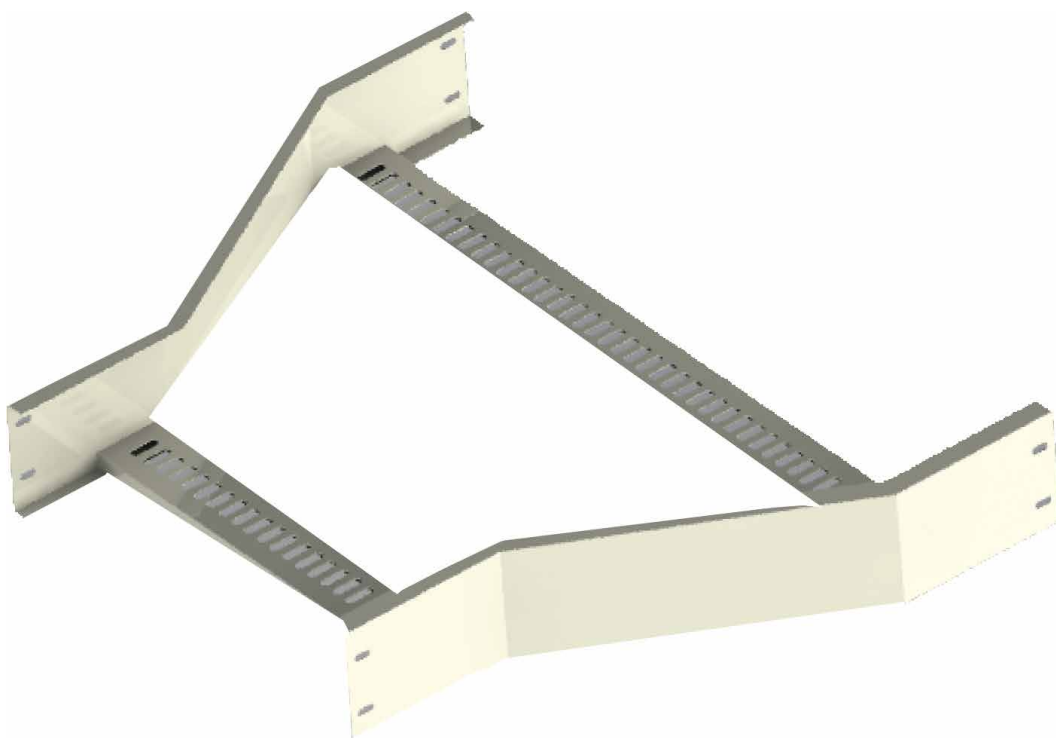


Finishing

- ◉ Pre- Galvanized (GI)
- ◉ Stainless Steel
- ◉ Powder coated
- ◉ Cold-Rolled Steel



Any other size request, please give us a call !



Inside riser

Product Specification

W (mm)	H (mm)	T (mm)
50	50	1 1.2 1.4 1.8 2
100		
150		
200		
50	100	
100		
150		
200		
100	150	
300		
400		
500		

➤ **Material**
◉ Prime quality & Metal Sheets

✦ **Finishing**
◉ Pre- Galvanized (GI)

◉ Stainless Steel

◉ Powder coated

◉ Cold-Rolled Steel

✦ Any other size request, please give us a call !



Outside riser

Product Specification

w (mm)	H (mm)	T (mm)
50	50	1 1.2 1.4 1.8 2
100		
150		
200		
50	100	
100		
150		
200		
100	150	
300		
400		
500		

➤ Material

- ◉ Prime quality & Metal Sheets

✦ Finishing

- ◉ Pre- Galvanized (GI)
- ◉ Stainless Steel
- ◉ Powder coated
- ◉ Cold-Rolled Steel

✦ Any other size request, please give us a call !



Horizontal elbow 90°

Product Specification

w (mm)	H (mm)	T (mm)
50	50	1 1.2 1.4 1.8 2
100		
150		
200		
50	100	
100		
150		
200		
100	150	
300		
400		
500		

➤ Material

⦿ Prime quality & Metal Sheets

✦ Finishing

⦿ Pre- Galvanized (GI)

⦿ Stainless Steel

⦿ Powder coated

⦿ Cold-Rolled Steel

✦ Any other size request, please give us a call !



Right reducer

Product Specification

w (mm)	H (mm)	T (mm)
50	50	1 1.2 1.4 1.8 2
100		
150		
200		
50	100	
100		
150		
200		
100	150	
300		
400		
500		

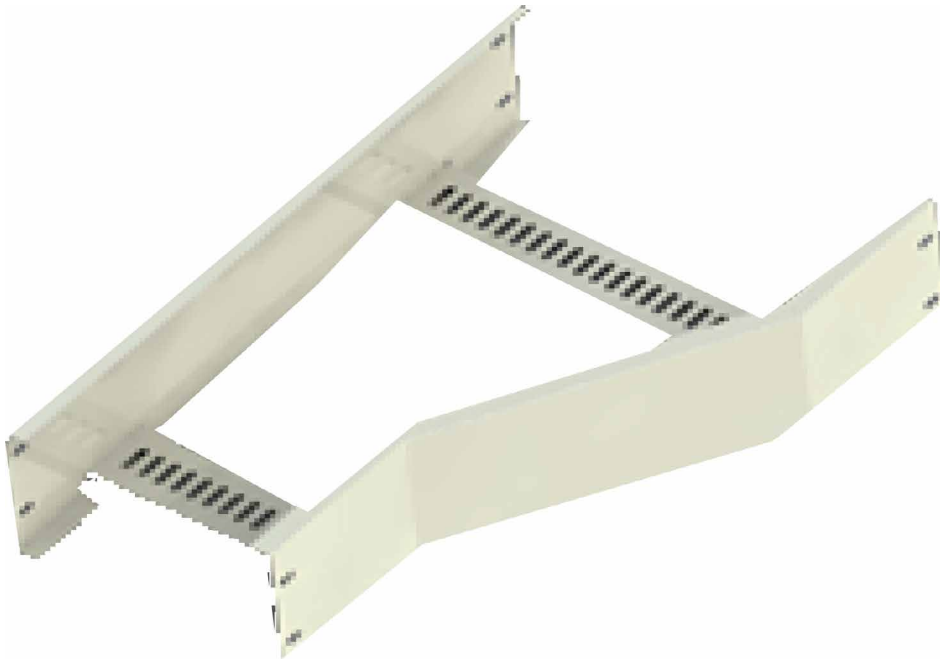
➤ Material

- ◉ Prime quality & Metal Sheets

✦ Finishing

- ◉ Pre- Galvanized (GI)
- ◉ Stainless Steel
- ◉ Powder coated
- ◉ Cold-Rolled Steel

✦ Any other size request, please give us a call !



Left reducer

Product Specification

w (mm)	H (mm)	T (mm)
50	50	1 1.2 1.4 1.8 2
100		
150		
200		
50	100	
100		
150		
200		
100	150	
300		
400		
500		



Material

- Prime quality & Metal Sheets

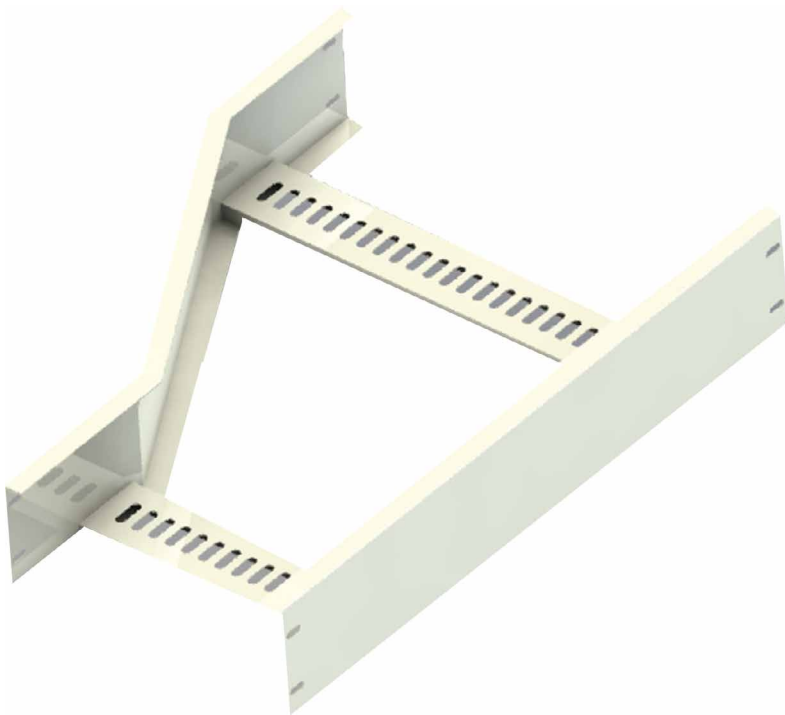


Finishing

- Pre- Galvanized (GI)
- Stainless Steel
- Powder coated
- Cold-Rolled Steel



Any other size request, please give us a call !



Bend 90°

Product Specification

w (mm)	H (mm)	T (mm)
50	50	1
100		
150		
200		
50	100	1.2
100		1.4
150		1.8
200		2
100	150	
300		
400		
500		

➤ Material

⦿ Prime quality & Metal Sheets

✦ Finishing

⦿ Pre- Galvanized (GI)

⦿ Stainless Steel

⦿ Powder coated

⦿ Cold-Rolled Steel

✦ Any other size request, please give us a call !





ក្រុមហ៊ុន គាំ ឌី អិម ឡេន ខុអិលធីឌី
Professional Electrical Manufacturer & Supply

